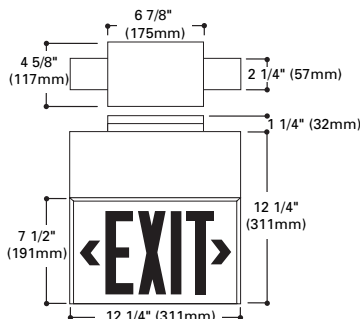


## DESCRIPTION

The Sure-Lites Self-powered Standard Steel Exit Series is the ideal exit for general purpose applications. With an extensive range of field installed accessories, choice of faces and a variety of mounting configurations, the basic exit can be tailored to fit almost any application. This exit features durable steel construction, attractive styling and high efficiency illumination.

## DIMENSIONS



## UN/UNH/PLX SERIES

### STEEL EXITS – SELF-POWERED INCANDESCENT

Type	Mounting	Stencil Face, White Finish		Stencil Face, Black Finish		Stencil Face, Black/Silver Finish	
		Red Letters	Green Letters	Red Letters	Green Letters	Red Letters	Green Letters
Universal <sup>(1)</sup>	Wall/Ceiling/End	UN1SRW	UN1SGW	UN1SRB	UN1SGB	UN1SRBS	UN1SGBS
Universal Open Face <sup>(2)</sup>	Wall/Ceiling/End	UN10FW (specify lens)		UN10FB (specify lens)		UN10FBS (specify lens)	

### STEEL EXITS – SELF-POWERED INCANDESCENT WITH ADDITIONAL OUTPUT TO POWER REMOTES

Universal <sup>(1)</sup>	Wall/Ceiling/End	UNH1SRW	UNH1SGW	UNH1SRB	UNH1SGB	UNH1SRBS	UNH1SGBS
Universal Open Face <sup>(2)</sup>	Wall/Ceiling/End	UNH10FW (specify lens)		UNH10FB (specify lens)		UNH10FBS (specify lens)	

### STEEL EXITS – SELF-POWERED FLUORESCENT

Universal <sup>(1)</sup>	Wall/Ceiling/End	PLX6200RP	PLX6200GP	PLX6200RB	PLX6200GB	PLX6200RBS	PLX6200GBS
Universal Open Face <sup>(2)</sup>	Wall/Ceiling/End	PLX6200OP (specify lens)		PLX6200OB (specify lens)		PLX6200OBS (specify lens)	

### STEEL EXITS – SELF-POWERED FLUORESCENT WITH ADDITIONAL OUTPUT TO POWER REMOTES

Universal <sup>(1)</sup>	Wall/Ceiling/End	PLX7200RP	PLX7200GP	PLX7200RB	PLX7200GB	PLX7200RBS	PLX7200GBS
Universal Open Face <sup>(2)</sup>	Wall/Ceiling/End	PLX7200OP (specify lens)		PLX7200OB (specify lens)		PLX7200OBS (specify lens)	

### STEEL EXITS – SELF-POWERED LED

Type	Mounting	Stencil Face, White Finish		Stencil Face, Black Finish	
		Red Letters	Green Letters	Red Letters	Green Letters
Universal <sup>(1)</sup>	Wall/Ceiling/End	UN1SRWLED	UN1SGWLED	UN1SRWBLED	UN1SGWBLED

### STEEL EXITS – SELF-POWERED LED WITH ADDITIONAL OUTPUT TO POWER REMOTES

Universal <sup>(1)</sup>	Wall/Ceiling/End	UNH1SRWLED	UNH1SGWBLED	UNH1SRWBLED	UNH1SGWBLED
--------------------------	------------------	------------	-------------	-------------	-------------

### WATTAGE RATINGS

UN	Lead Calcium=10.8W for 1 1/2 hrs.; 7.2W for 2 hrs.	Nickel Cadmium=15W for 1 1/2 hrs; 12W for 2 hrs.
UNH	Lead Calcium=27W for 1 1/2 hrs.; 24W for 2 hrs.	Nickel Cadmium=24W for 1 1/2 hrs.; 18W for 2 hrs.
PLX-6200	Lead Calcium = 10.8W for 1 1/2 hrs.	Nickel Cadmium = 15W for 1 1/2 hrs.; 12W for 2 hrs.
PLX-7200	Lead Calcium = 27W for 1 1/2 hrs.; 24W for 2 hrs.	Nickel Cadmium = 24W for 1 1/2 hrs.; 18W for 2 hrs.

### ORDERING INFORMATION

SAMPLE NUMBER: UNH170SRWSD

Model Number	Factory Options	Accessories	Tamperproof Accessories:
See chart	(For ordering with incandescent, add option numbers in order listed after series; e.g. UNH170200FW. For ordering with fluorescent, replace "00" with option numbers in order listed; e.g. PLX6230RP. For ordering with LED, add option numbers in order listed after series; e.g. UN1702090SRWLED) 70=Nickel Cadmium Batteries 20=DC Flasher 30=DC Flasher/Buzzer 90=DC Fire Alarm Interface (Incandescent and LED Only) SD=Self-Diagnostics (Add to end of catalog number: e.g. UN130SRWSD)	(Order Separately) FL1=Flasher Kit BZ1=Buzzer Kit  Pendant Kit: PK18BK=Black, 18" long PK18WH=White, 18" long  Canopy Kit: CAN571=White CAN578=Black	TPK1CP=Tamperproof Screws 0590A638SP=Screwdriver bit for TPK1CP Screws Wire Guard WG10=Surface Wire Guard WGS11=Ceiling, End Wire Guard VS2=Polycarbonate Vandal Shield VS2WP=Polycarbonate Vandal Shield - Weatherproof

### Energy Data

	Charged Mode (Fully Discharged Battery)		Sealed Lead Calcium Battery		Sealed Nickel Cadmium Battery		T.H.D.:
	Input Power:	Input Current (Max.):	Power Factor:	Input Power:	Input Current (Max.):	Power Factor:	
Incandescent Exits 20W Lamps	120V 277V	120V 277V	120V 277V	120V 277V	120V 277V	120V 277V	<9% <10%
Fluorescent Exits 5W lamps	53W 33W	51W 33W	.45A .44A	.19A .18A	>.98 >.65	>.98 >.65	<8% <10%
Standby Mode (Fully Charged Battery) Sealed Lead Calcium Battery Input Power consumption is reduced by approximately 7.5 Watts in the standby operating mode							
Incandescent Exits 20W Lamps	47W	44W	.40A	.16A	>.98 >.98	>.98 >.98	<8% <8%
Fluorescent Exits 5W lamps	26W	26W	.41A	.16A	>.52 >.57	>.52 >.57	<11% <10%
Charged Mode (Fully Discharged Battery) Sealed Lead Calcium Battery							
LED Exits Red Letters (UN)	10.4W	10.8W	.10A	.04A	>.89 >.88	>.89 >.88	<45% <48%
LED Exits Red Letters (UNH)	12.6W	13.2W	.10A	.05A	>.91 >.91	>.91 >.91	<39% <42%
LED Exits Green Letters (UN)	11.9W	12.3W	.10A	.05A	>.96 >.94	>.96 >.94	<29% <33%
LED Exits Green Letters (UNH)	15.8W	15.4W	.14A	.06A	>.97 >.96	>.97 >.96	<25% <29%
Standby Mode (Fully Charged Battery) Sealed Lead Calcium Battery Input Power consumption is reduced by approximately 7.5 Watts in the standby operating mode							
Sealed Nickel Cadmium Battery							
LED Exits Red Letters (UN)	4.8W	4.7W	.05A	.02A	>.76 >.73	>.76 >.73	<63% <68%
LED Exits Red Letters (UNH)	9.1W	9.1W	.08A	.04A	>.90 >.89	>.90 >.89	<36% <40%
LED Exits Green Letters (UN)	6.1W	6.0W	.06A	.03A	>.88 >.85	>.88 >.85	<47% <52%
LED Exits Green Letters (UNH)	10.3W	10.3W	.09A	.04A	>.96 >.95	>.96 >.95	<24% <29%

<sup>(1)</sup> Universal Face Exits include two stencil faces, canopy and backplate. <sup>(2)</sup> For Open Face Exits, specify lens desired: 004346SP-red letters, white background; 004347SP - green letters, white background; 004340SP - white letters, red background; 004341SP-white letters, green background; Special wording, consult your Cooper Lighting Representative. Order Separately.

Steel  
Self-Powered  
Incandescent,  
Fluorescent, LED Lamping  
EXIT LIGHTING

- Dual-voltage input 120/277VAC, 60Hz
- 20 gauge (white/black) steel housing
- AC incandescent: two 20W T6 1/2 intermediate base lamps-DC: two 6V, 3.6W DC Lamps
- AC fluorescent: two 5W F5TT lamps-DC: three 6V, 3.6W DC lamps
- AC LED: long life LED lamp modules-DC: two 6V, 3.6W DC lamps
- Lead Calcium or Premium Nickel Cadmium battery
- Universal: both single and double face; ceiling, wall and end mountable
- Knockouts for chevron directional indicators
- Universal styles offer complete installation flexibility with canopy, backplate, and 2 stencil faces
- Louvered downlight
- Suitable for floor proximity installation
- Line-latching, Solid-State voltage limited charger, Solid-State switching, low-voltage disconnect, brownout circuit, overload/short-circuit protection, test switch/power indicator light
- UL 924 Listed, Life Safety NFPA 101, NEC/OSHA, most state and local codes